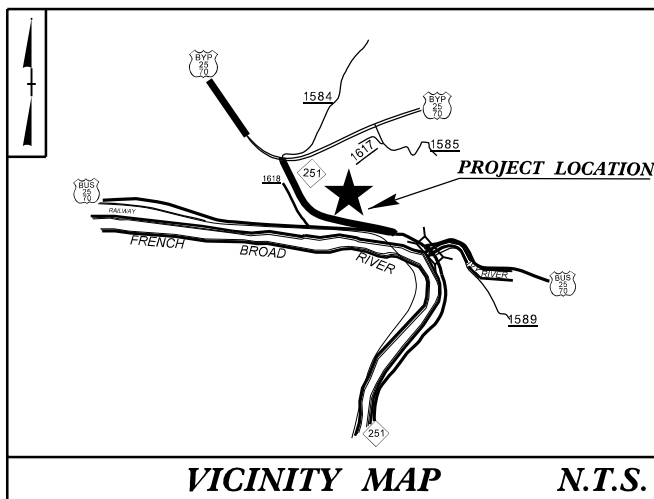


09/08/20

See Sheet 1A For Index of Sheets



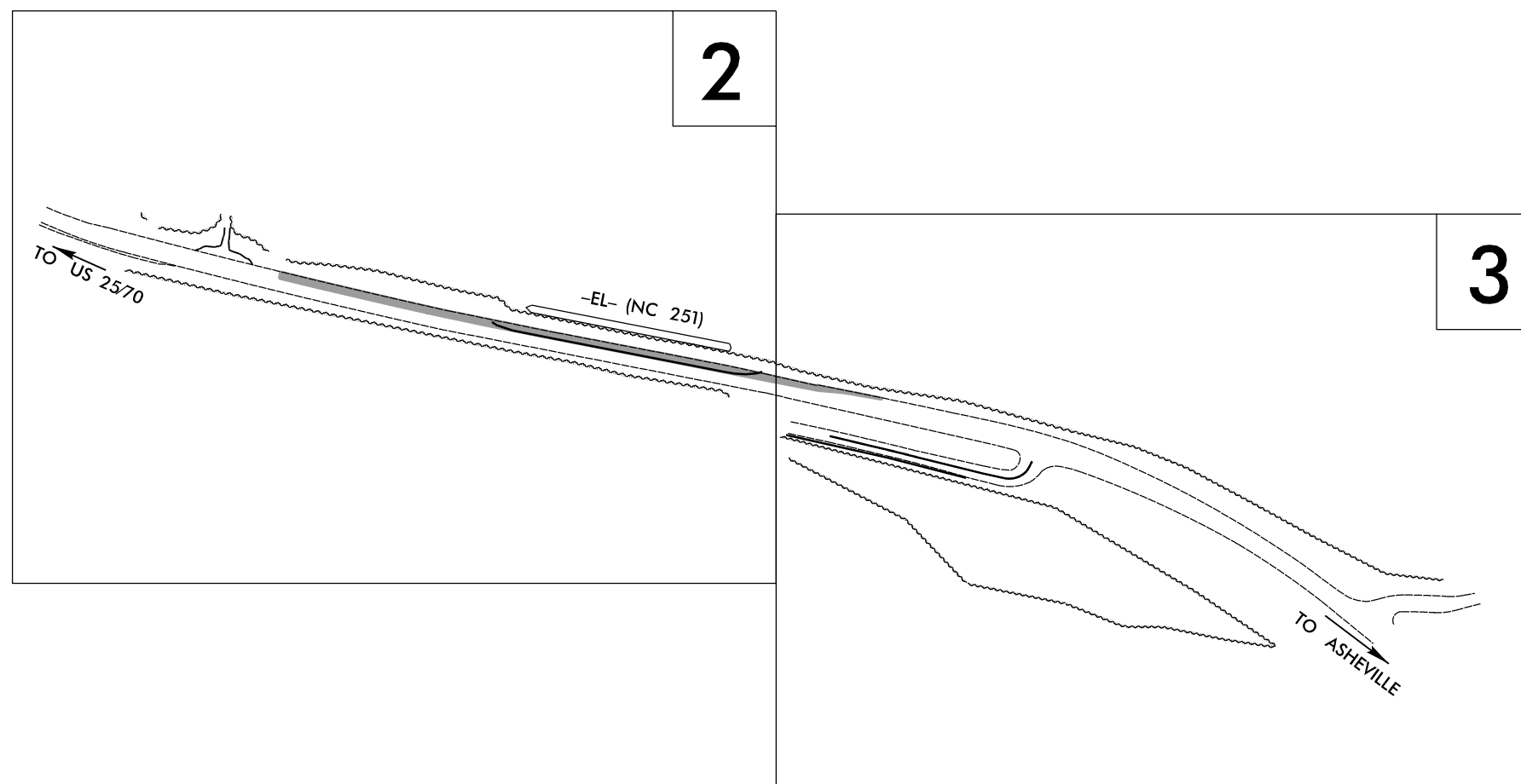
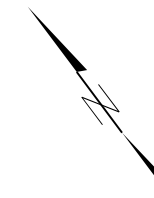
STATE OF NORTH CAROLINA  
DIVISION OF HIGHWAYS

**MADISON COUNTY**

LOCATION: NC-251

TYPE OF WORK: GUARDRAIL AND PAVEMENT MARKINGS

STATE	STATE PROJECT REFERENCE NO.	SHEET NO.	TOTAL SHEETS
N.C.	16013.1057016	1	3
STATE PROJ. NO.	F.A. PROJ. NO.	DESCRIPTION	
16013.1057016		CONST	



CONTRACT: DM00366 TIP PROJECT:

GRAPHIC SCALES



PROJECT LENGTH

LENGTH OF ROADWAY PROJECT = 0.29 MILES

Prepared in the Office of:  
**DIVISION 13 DDC UNIT**  
55 Orange St., Asheville NC, 28801

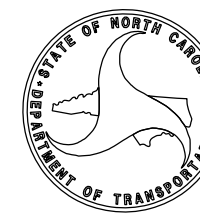
2018 STANDARD SPECIFICATIONS

RIGHT OF WAY DATE:

PROJECT ENGINEER

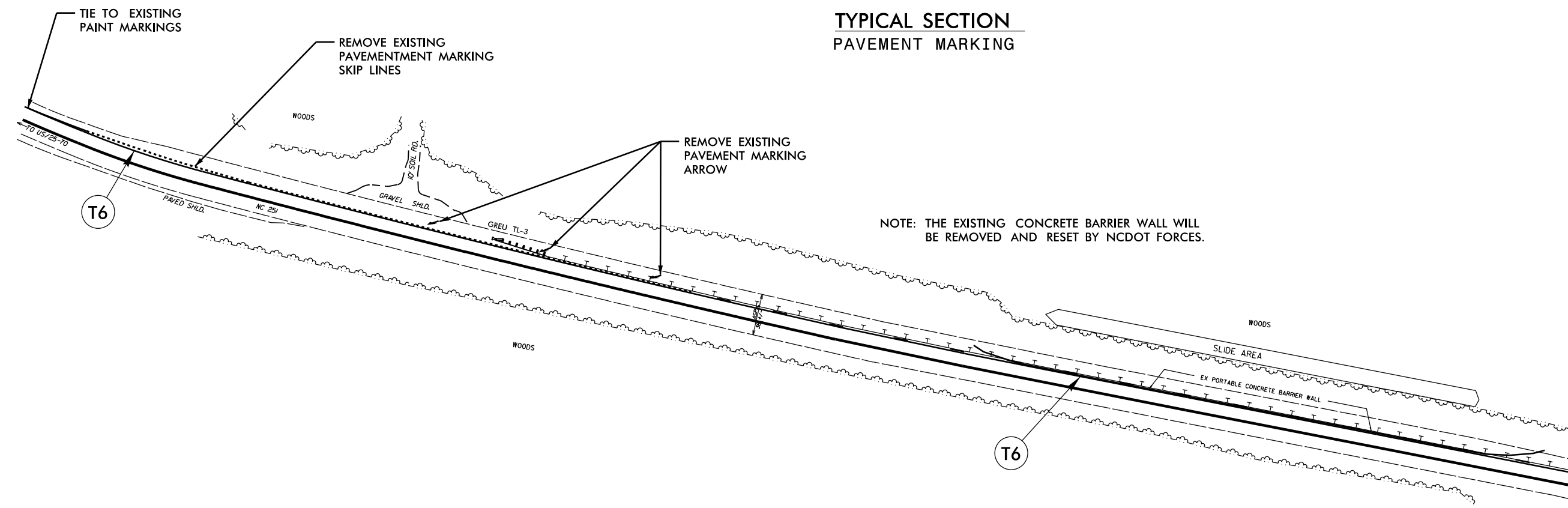
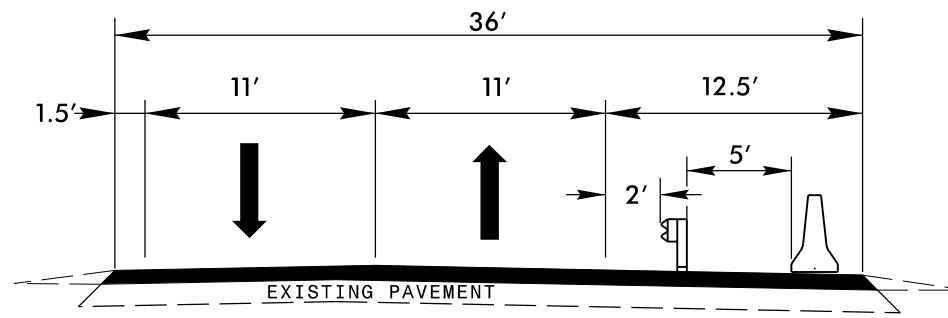
LETTING DATE:  
FEBRUARY 16, 2022

PROJECT DESIGN ENGINEER

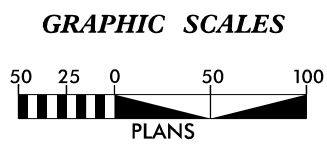


8/17/99

REVISIONS



NOTE: THE EXISTING CONCRETE BARRIER WALL WILL BE REMOVED AND RESET BY NCDOT FORCES.



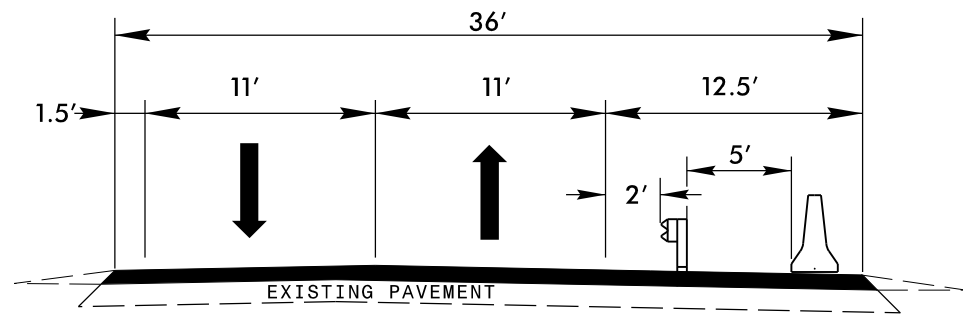
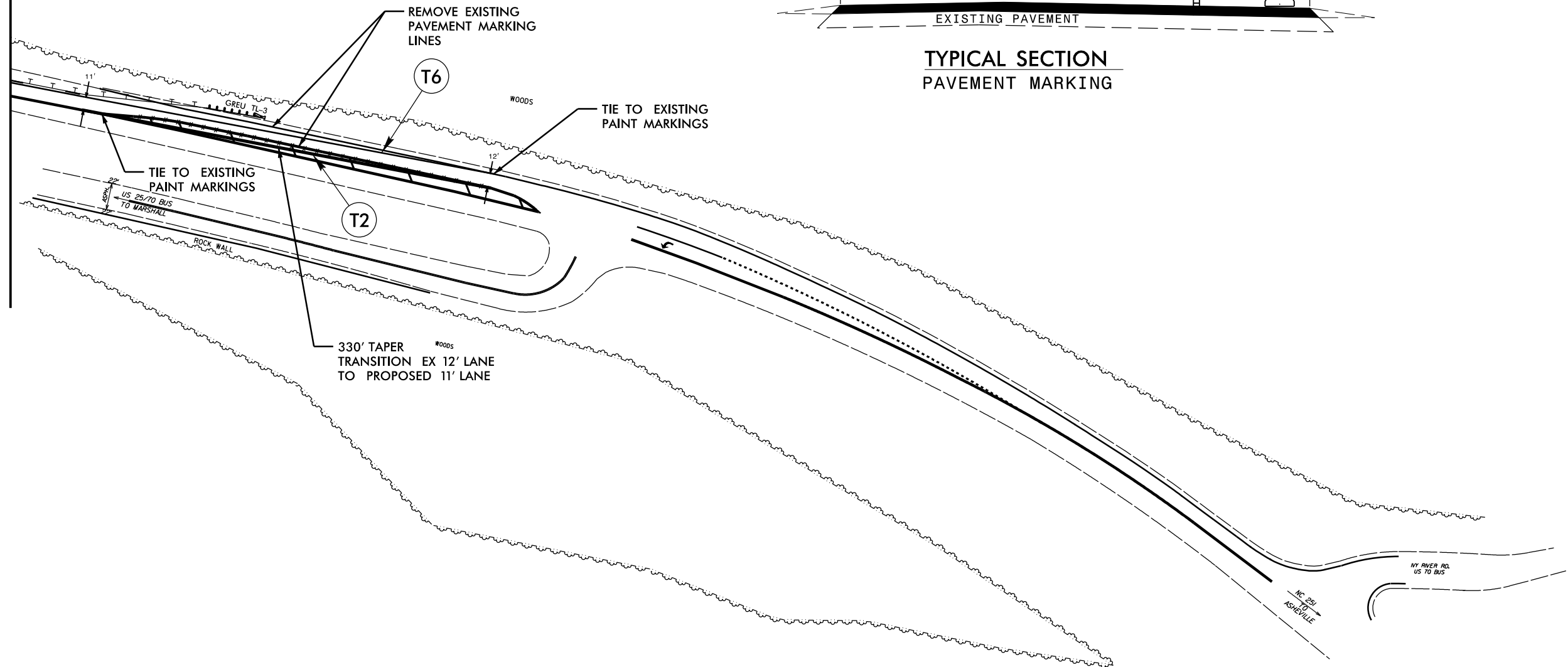
PAVEMENT MARKING SCHEDULE	
SYMBOLS	DESCRIPTION
T6	SINGLE WHITE PAINT (4")
T2	DOUBLE YELLOW PAINT (4")

MATCHLINE SEE PLAN SHEET 3

8/17/99

REVISIONS

MATCHLINE SEE SHEET 2



GRAPHIC SCALES



PAVEMENT MARKING SCHEDULE

SYMBOLS	DESCRIPTION
T6	SINGLE WHITE PAINT (4")
T2	DOUBLE YELLOW PAINT (4")